



HIGH POWERED LAMPS

12-54 watt LED area luminaire
 IP64 | 60° - 360° Beam Angle | Lamp Base Mount

Application

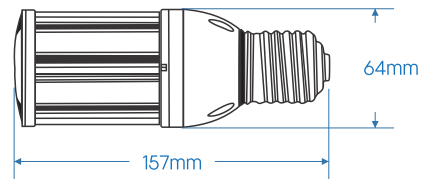
A solution for residential, commercial, retail, Industrial, Education and Hospitality areas.

Features

- Rated Voltage: AC110-266V, 50/60Hz
- Luminaire Efficacy: 120-150lm/W
- CCT: 3000k-4000k-6000k
- Power Factor: ≥ 0.95
- LED Type: SMD 2835 | SMD 5630
- \gt UGR19
- SDCM $\lt 3$
- Electrical Class 1
- Cable entry: Back
- L&B Rating: L80 B10 50 000hrs
- Lifespan: 50 000hrs



Dimensions



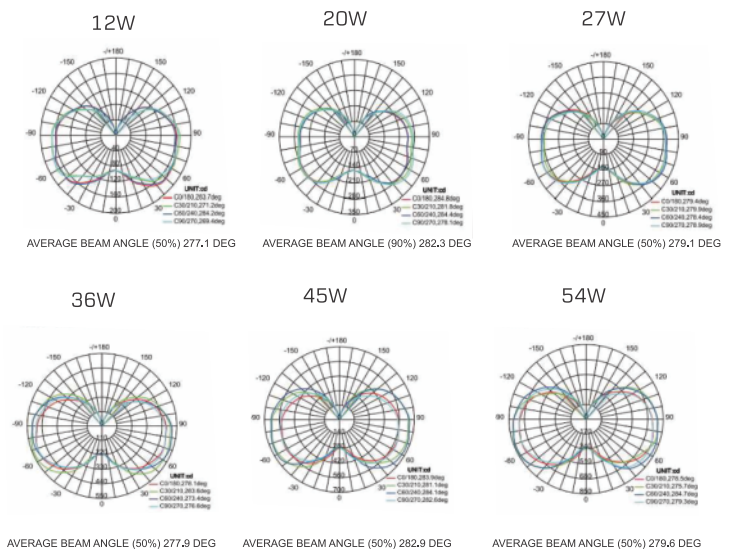
Design Specifications

- Housing Body: Aluminium 1070.
- Lens Diffuser: Polycarbonate.
- Housing Colour: White
- Flicker Free.

Performance



Photometric Data



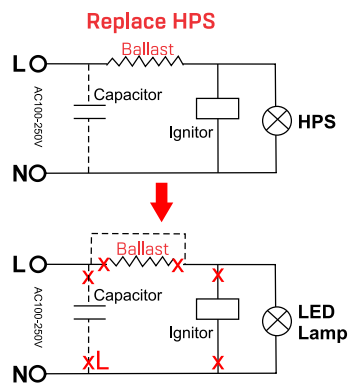
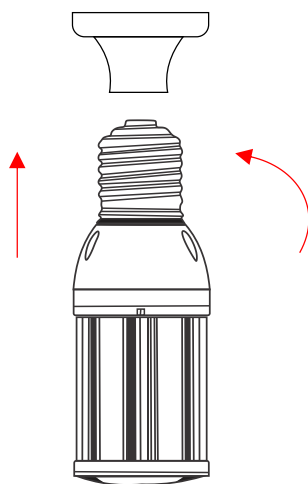
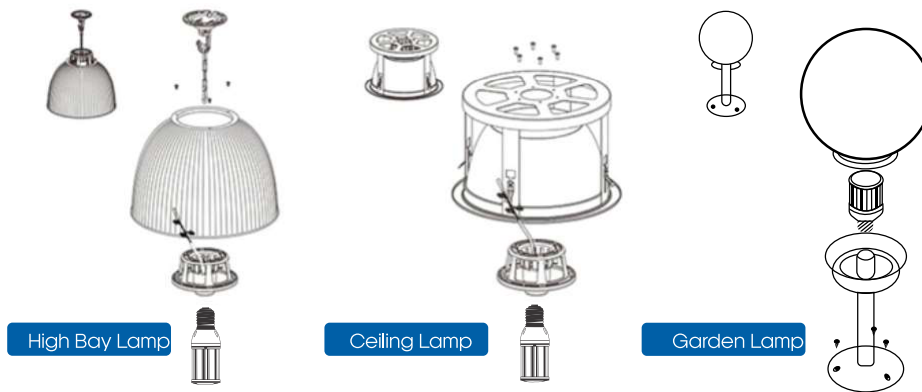
HIGH POWERED LAMPS

12-54 watt LED area luminaire
 IP64 | 60° - 360° Beam Angle | Lamp Base
 Mount

Technical Specifications

| Model No. | Dimensions (mm) | Power | Lumen lm/W | CCT (K) | CRI | Beam Angle | UGR | SDCM |
|-----------|-----------------|-------|------------|---------|-----|------------|-----|------|
| HPL-01 | Φ64*157 | 12W | 120 | 4000K | >80 | 360° | 19 | <3 |
| HPL-02 | Φ64*157 | 16W | 120 | 4000K | >80 | 360° | 19 | <3 |
| HPL-03 | Φ64*157 | 24W | 120 | 4000K | >80 | 360° | 19 | <3 |
| HPL-04 | Φ93*203 | 27W | 120 | 4000K | >80 | 360° | 19 | <3 |
| HPL-05 | Φ93*203 | 30W | 120 | 4000K | >80 | 360° | 19 | <3 |
| HPL-06 | Φ93*233 | 36W | 120 | 4000K | >80 | 360° | 19 | <3 |
| HPL-07 | Φ93*264 | 45W | 120 | 4000K | >80 | 360° | 19 | <3 |
| HPL-08 | Φ93*274 | 54W | 120 | 4000K | >80 | 360° | 19 | <3 |

Installation

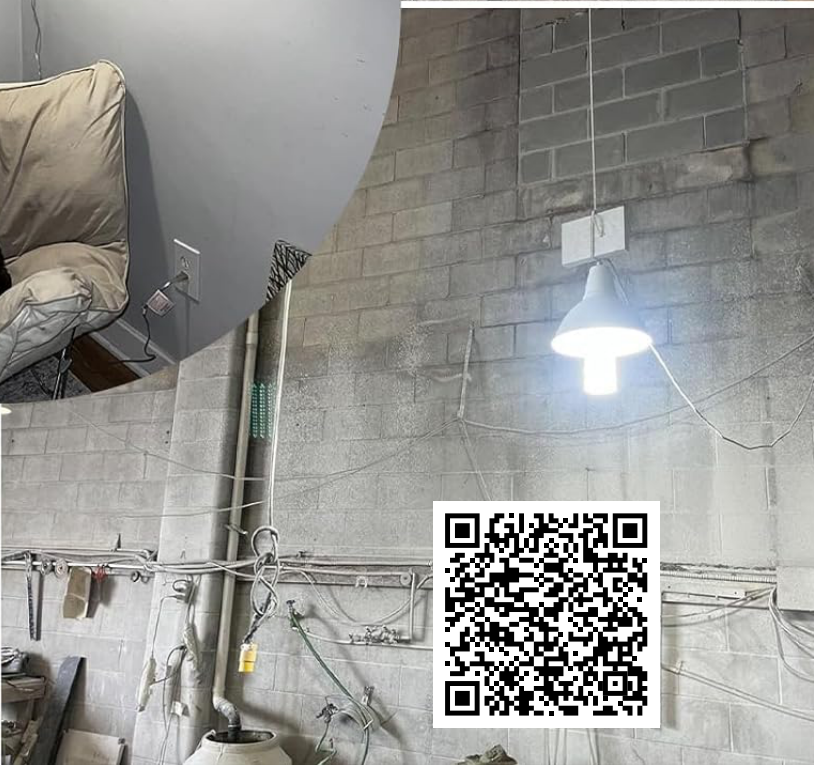




HIGH POWERED LAMPS



www.lambdalumen.com



Certifications



Optional Features

- Dimmable Options.
- Sensor Options.
- Emergency options are available on request.



Unit 21 & 22, Brentwood Office Park,
Brentwood Park AH, Benoni.
info@lambdalumen.com
Tel: +27 10 500 9150