



## HULK STREETLIGHT

30, 75, 100 watt LED area luminaire  
IK09 | IP66 | Pole Mount Side Entry

### Application

A solution for Highways & Expressways, Airports, Flyovers, Bridges & Overpasses, Urban Roadways & Boulevards, Transportation Hubs & Terminals, Pedestrian Pathways & Greenbelts areas.

### Features

- 50Hz Frequency
- Operating Temperature -40°C to +55°C
- AC230V ± 10 % Rated Voltage
- ≤5% Total Harmonic Distortions
- >0.9 Power Factor
- Insulation Class I
- L90 B10 - 40 000hrs | L80 B10 - 82 000hrs | L70 B10 - 131 000hrs L&B Rating @Ta=25°C
- SMD 3030 LED
- >Ra70 Color Rendering Index
- Inventronics - Constant Current Driver
- 3000K, 4000K, 5700K CCT
- 10KV (Line Earth) Surge Protection

### Design Specifications

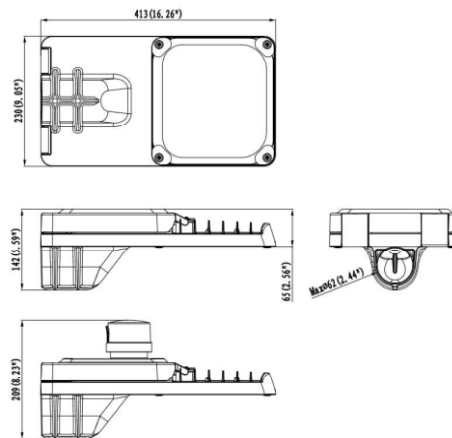
- Die Cast Aluminium Alloy Housing Body.
- Aluminium Finish.
- Tempered Glass+Polycarbonate Lens Diffuser
- Anti Corrosion C5-M (Marine Grade)
- Stainless Steel 316 screws, bolts, nuts
- Through Spigot cable entry

### Performance



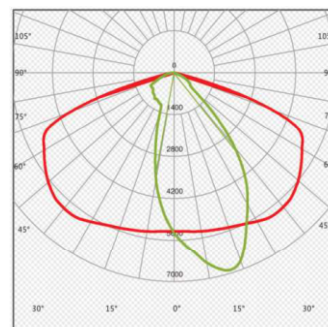
### Dimensions

30W/75W



### Photometric Data

R01609



# HULK STREETLIGHT

30, 75, 100 watt LED area luminaire  
IK09 | IP66 | Pole Mount Side Entry

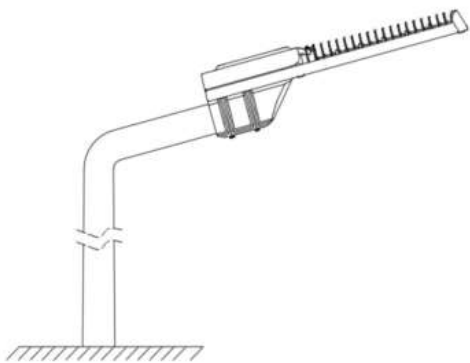
## Technical Specifications

Model No.	Input (v)	Power	Lumen lm/W	CCT (K)	CRI	Beam Angle	Luminous Flux	Net Weight (kg)	SDCM
	AC230V ± 10 %	30W	160	4000K	>Ra70	R01609	4 855lm	4.7kg	413*230*142
	AC230V ± 10 %	75W	160	4000K	>Ra70	R01609	12 192lm	4.7kg	413*230*142
	AC230V ± 10 %	100W	160	4000K	>Ra70	R01609	16 486lm	6.8kg	513*300*145

## Anti Corrosion Table

Category	Corrosivity		
C1	Very Low	Heated Buildings	Dry or cold with very low pollution
C2	Low	Low levels of pollution	Temperate low pollution
C3	Medium	Urban & Industrial Moderate pollution	High/Moderate pollution
C4	High	Coastal & Industrial Moderate pollution	High/Moderate pollution
C5-I	Very High	High humidity & Industrial	Agressive Atmosphere
C5-M	Very High	Coastal & Offshore areas	Marine areas With high salinity

## Mounting Options



Side Entry Mounting

# HULK STREETLIGHT



## Certifications



## Accessories

- 0-10V | DALI Dimmable Options
- NEMA 7pin Socket.
- Shorting Cap Cover.



Unit 21 & 22, Brentwood Office Park,  
Brentwood Park AH, Benoni.  
info@lambdalumen.com  
Tel: +27 10 500 9150