



## S10 STREETLIGHT

20-240 watt LED area luminaire  
IP66 | IK08 | T2M Beam Angle | Pole Mount

### Application

A solution for residential, commercial, retail, Industrial, Education and Hospitality areas.

### Features

- Rated Voltage: AC100-277V, 50/60Hz
- Luminaire Efficacy: 130 | 150 | 170lm/W
- CCT: Warm White\_2700K-3500K, Neutral White\_4000K-4500K, Cool White\_5000k-6000k
- Power Factor & Efficiency: >0.90 | >0.95%
- LED Type: Philips 5050-SMD
- Driver Type: Meanwell/Moso/Sosen/ Inventronics
- Impact Protection: IK08
- Electrical Class I
- Surge Protection: 6KV (10KV/20KV Optional)
- Operating Temp: -40°C ~ + 50°C
- Total Harmonic Distortions: ≤15%
- Colour Rendering Index: Ra>70
- L&B Rating: L80 B10 50 000hrs
- Lifespan: 50 000hrs

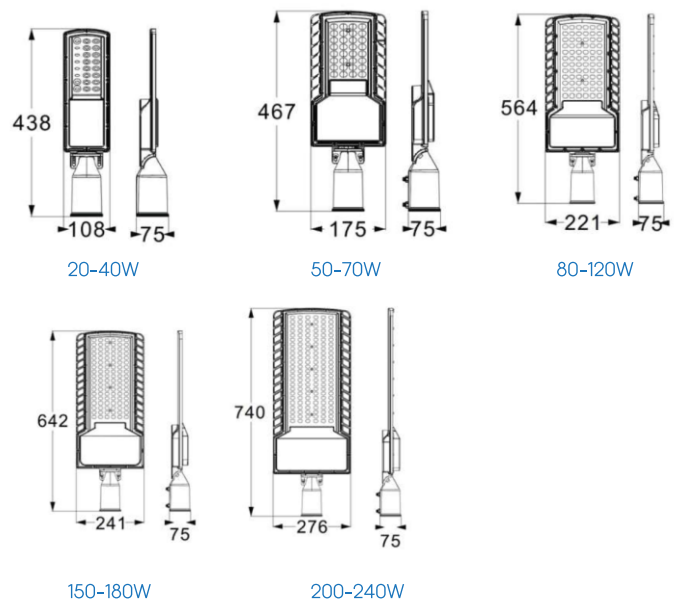
### Design Specifications

- Housing Body: ADC12 Die-cast Aluminium. Patent Mould-Integrated Die-Casting
- Lens: Glare free.
- Lens Cover: Poly Methyl Methacrylate - PMMA
- Housing Colour: Light Grey
- Anti Corrosion: Optional Coating
- Installation Hole Size: 60mm
- Entry & Output Cable: Through Spigot / 20cm (Standard)
- Mounting Shaft: 90/180°(±15°)

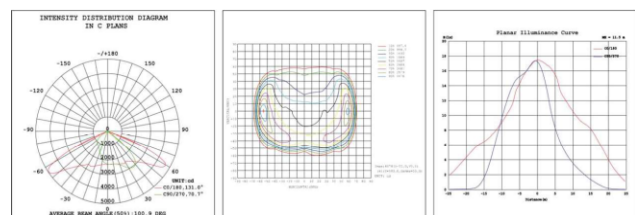
### Performance



### Dimensions



### Photometric Data



# S10 STREETLIGHT

20-240 watt LED area luminaire  
 IP66 | IK08 | T2M Beam Angle | Pole Mount

## Standard

Power Consumption (W)	LED Quantity T2 Lens (pcs)	Lamp Size (mm)	Luminous Flux	Net Weight (kg)
20-40W	24pcs	438*108*75	3600-7200LM	1.15
50-70W	32pcs	467*175*75	9000-12600LM	1.54
80-120W	72pcs	564*221*75	1400-21600LM	1.89
150-180W	108pcs	647*241*75	27000-32400LM	2.21
200-240W	144pcs	740*276*75	36000-43200LM	2.50

## Intelligent Control

Power Consumption (W)	LED Quantity T2 Lens (pcs)	Lamp Size (mm)	Luminous Flux	Net Weight (kg)
20-40W	24pcs	438*108*140	3600-7200LM	1.26
50-70W	32pcs	467*175*140	9000-12600LM	1.65
80-120W	72pcs	564*221*140	1400-21600LM	2
150-180W	108pcs	647*241*140	27000-32400LM	2.32
200-240W	144pcs	740*276*140	36000-43200LM	2.61

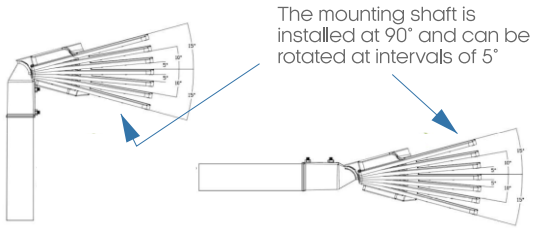
## Technical Specifications

Model No.	Dimensions (mm)	Power	Lumen lm/W	CCT (K)	CRI	Beam Angle	IMPACT PROTECTION
S1000124	L463*W108*H140	20W	130/150/170lm/W	2700-6000K	>70	T2M	IK08
S1000125	L463*W108*H140	30W	130/150/170lm/W	2700-6000K	>70	T2M	IK08
S1000126	L463*W108*H140	40W	130/150/170lm/W	2700-6000K	>70	T2M	IK08
S1000127	L467*W175*H140	50W	130/150/170lm/W	2700-6000K	>70	T2M	IK08
S1000128	L467*W175*H140	60W	130/150/170lm/W	2700-6000K	>70	T2M	IK08
S1000129	L467*W175*H140	70W	130/150/170lm/W	2700-6000K	>70	T2M	IK08
S1000130	L564*W221*H140	80W	130/150/170lm/W	2700-6000K	>70	T2M	IK08
S1000131	L564*W221*H140	100W	130/150/170lm/W	2700-6000K	>70	T2M	IK08
S1000132	L564*W221*H140	120W	130/150/170lm/W	2700-6000K	>70	T2M	IK08
S1000133	L647*W241*H140	150W	130/150/170lm/W	2700-6000K	>70	T2M	IK08
S1000134	L647*W241*H140	180W	130/150/170lm/W	2700-6000K	>70	T2M	IK08
S1000135	L740*W276*H140	200W	130/150/170lm/W	2700-6000K	>70	T2M	IK08
S1000136	L740*W276*H140	240W	130/150/170lm/W	2700-6000K	>70	T2M	IK08

# S10 STREETLIGHT

20-240 watt LED area luminaire  
 IP66 | IK08 | T2M Beam Angle | Pole Mount

## Adjustable Spigot



## Light Management System - LORAN



NEMA LORA Controller

LoRa/PWM/0-10V  
 Cortex-M3 / Inserted antenna / Support 470, 510, 868 and 915 MHz  
 Working current less than 120 mA  
 Operating voltage: AC 100-277V  
 Operating temperature: -30~70°C / R = 34.5 m  
 Remote on/off and dimming / Group control lights  
 Customised dimming strategies  
 Voltage, current, power consumption data  
 Fault alarm / Surveillance real-time monitoring



IP65 LoRaWAN Gateway

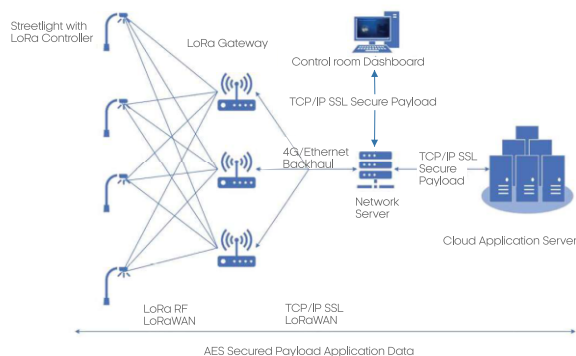
LoRa/4G & Ethernet Uplink Communication  
 SX1301 main chip / Cortex core processor / Stable Linux system  
 Operating voltage: 12-36V  
 Operating current: 1A  
 LAN interface & 4G interface  
 Low power and high reliability  
 Requires local SIM card info  
 One gateway can carry all nodes within a radius of 3 km



IP20 LoRaWAN Gateway

LoRa/4G & Ethernet Uplink Communication  
 SX1301 main chip / Cortex core processor / Stable Linux system  
 Operating voltage: 12-36V  
 Operating current: 1A  
 LAN interface & 4G interface  
 Low power and high reliability  
 Requires local SIM card info  
 One gateway can carry all nodes within a radius of 3 km

## LoRaWAN LMS Network Diagram



## S10 STREETLIGHT



### Certifications



### Optional Features

- Dimmable Options.
- Sensor Options.
- Emergency options are available on request.



Unit 21 & 22, Brentwood Office Park,  
Brentwood Park AH, Benoni.  
info@lambdalumen.com  
Tel: +27 10 500 9150