

FORTILUX EX

15-50 watt LED area luminaire
IK10 | 120° Beam Angle | Zone 1 & 2, 21 & 22

Application

A solution for gas and dust environments, industrial, petrochemical plants, oil refineries, offshore oil rigs and mining areas.

Features

- Input Voltage: AC120-277VAC, 50/60Hz
- Power Consumption EMG: 10W
- Power Factor: >0.9 | ≥90% Driver Efficiency
- Ambient Operating Temp STD: -40°C to +60°C
- Ambient Operating Temp EMG: -10°C to +60°C
- Ex Rating: Ex db eb mb IIC T6/T5 Gb, Ex tb III C T80°C/T95°C Db
- CCT: 4000K - 5000K - 6000K
- Cable entry: STD 4 x NPT3/4 | W/EM: 3 x NPT3/4
- Lifetime Rating @55°C: L80> 50 000hrs
- Dimming: 0-10V / Non Dim
- Impact Resistance: IK10 3G - Vibration
- Mounting Options: Ceiling | Rope | Pole

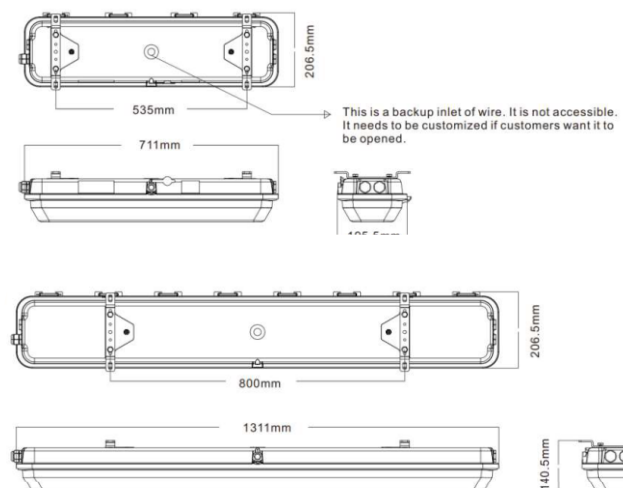
Design Specifications

- Housing Body: GRP
- Gasket: Silicone Rubber
- Fixture Color: Milky White
- Lens Diffuser: Fiberglass-reinforced polycarbonate
- Surge Protection: 4KV

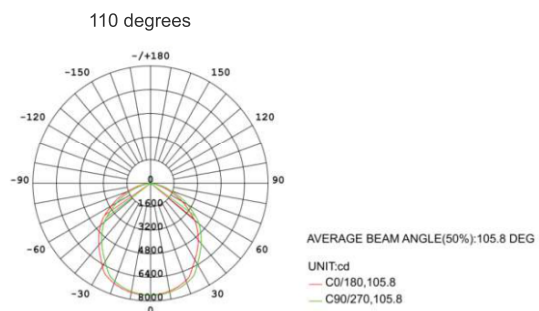
Performance



Dimensions



Photometric Data



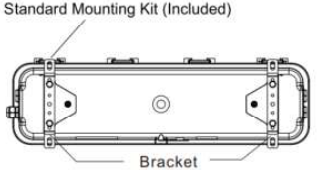
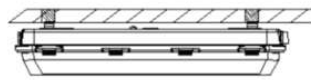
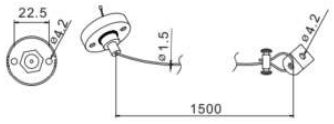
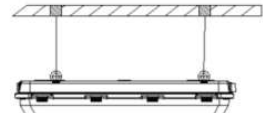
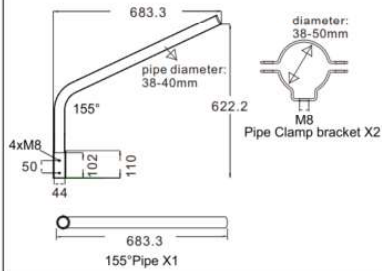
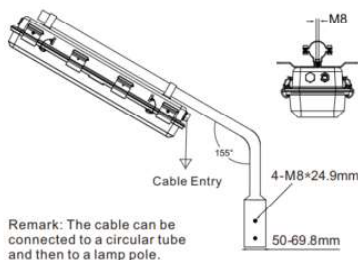
FORTILUX EX

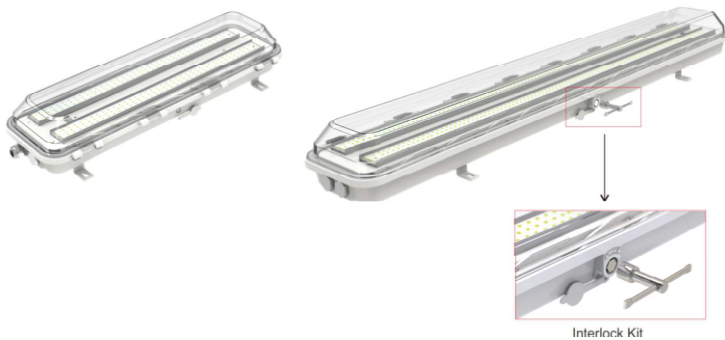
15-50 watt LED area luminaire
 IK10 | 120° Beam Angle | Zone 1 & 2, 21 & 22

Technical Specifications

| Model No. | Power | Dimensions | Luminous Flux lm/W | CCT (K) | CRI | Beam Angle | Ingress Protection | Impact Resistance |
|-----------|-------|------------|-----------------------|-------------|-----|------------|--------------------|---------------------|
| FL000183 | 20W | 2ft | 2500lm | 4000K-6000K | >80 | 120° | IP66 | IK10 3G - Vibration |
| FL000184 | 30W | 2ft | 3750lm | 4000K-6000K | >80 | 120° | IP66 | IK10 3G - Vibration |
| FL000185 | 40W | 4ft | 5000lm | 4000K-6000K | >80 | 120° | IP66 | IK10 3G - Vibration |
| FL000186 | 50W | 4ft | 6250lm | 4000K-6000K | >80 | 120° | IP66 | IK10 3G - Vibration |

Mounting

| Options | Description | Kit (mm) | Installed |
|----------------------------------|---|--|--|
| Ceiling Mount (Bracket Mount) | Provided with two stainless steel mounting kits welded at the back of Housing | Standard Mounting Kit (Included)  |  |
| Rope Pendant Mount | Provided with two stainless steel wire. Measured 1mm diameter. |  |  |
| Pole Mount | (1) 155° Pipe (2) Pipe Clamp bracket |  |  Remark: The cable can be connected to a circular tube and then to a lamp pole. |



FORTILUX EX



Certifications



Package Information

| Model No. | Net Weight | Gross Weight | Qty/Carton | Package Dimensions (LxWxH) |
|-----------|------------|--------------|------------|----------------------------|
| 2ft | 4kg | 5kg | 1pc | 800*250*170mm |
| 4ft | 8kg | 10.7kg | 1pc | 1400*250*175mm |



Unit 21 & 22, Brentwood Office Park,
Brentwood Park AH, Benoni.
info@lambdalumen.com
Tel: +27 10 500 9150